

SEWAGE VORTEX F

submersible pump for
sewage water



waste water



domestic use

SEWAGE
VORTEX F

Max Head 11 - 16m

Max Flow 15 - 69m³/h

Motor Power 0.6 - 3Kw

Discharge size G1¼ F/G3F



KEY ADVANTAGES OF A VORTEX F PUMP

APPLICATION

Vortex F series pumps are suitable for pumping drainage water and waste water. With 33 up to 80 mm spherical clearance. They are used for various applications in public and private sector, trade and industry.

INSTALLATION

Permanent or transportable. Model with float switch control for automatic pump operation, depending on liquid level in the sump.

MATERIALS

Double seals, lip seals and reinforced SIC-SIC mechanical seal. Motor casing in stainless steel, 304 stainless steel or cast iron open impeller, pump body in cast iron, 420 stainless steel shaft.

PUMPED LIQUID

Clear water and drainage water, sewage containing soft solids. Max. liquid temperature: 35°C.

MOTOR

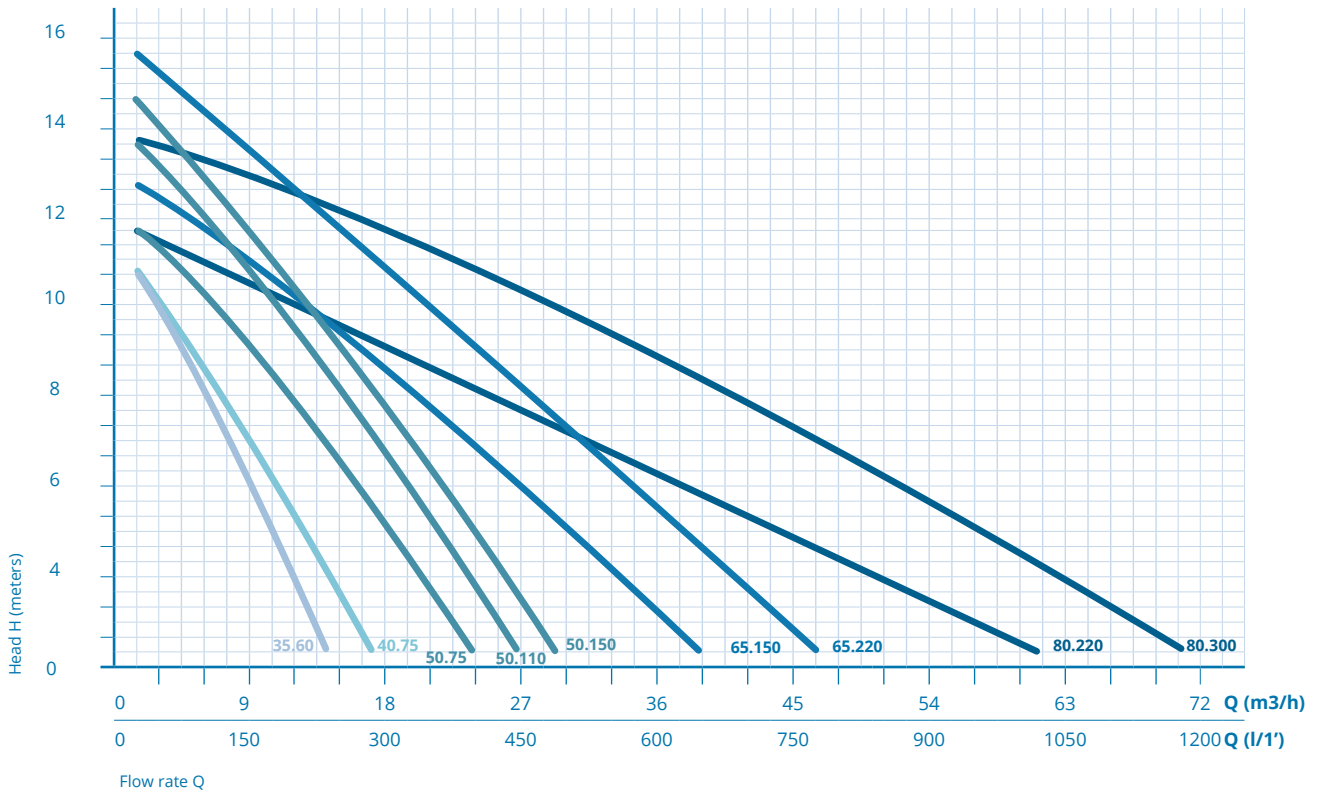
Fully submersible, pressure tight electric motor. Stainless steel motor- and pump housing. Insulation class F. Motor protection IP 68. Thermal sensors imbedded in the motor winding.

FEATURES

Power cable: 10 m neoprene.
Immersion depth of 10 m.
Ideal for installation with guide rail.

CHARACTERISTIC CURVES AND PERFORMANCE DATA

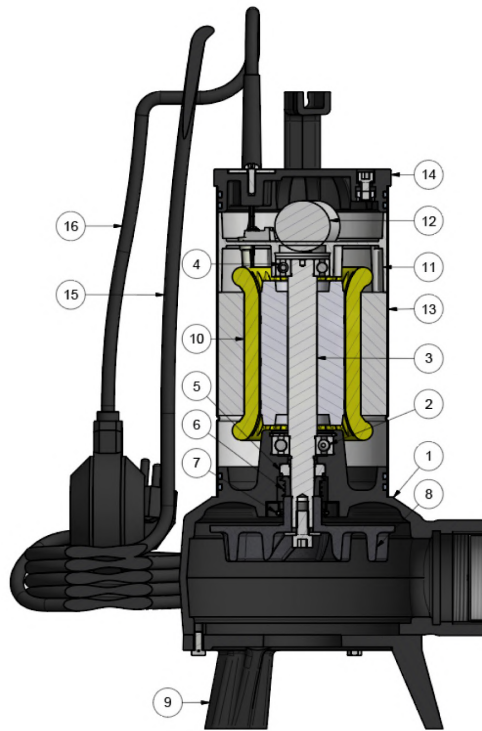
SEWAGE
VORTEX F



TYPE	POWER kW	MOTOR			PORT		Q m³/h l/min	0	3	6	9	12	15	18	24	27	30	36	48	60	72	
		1~ A	3~ µF	A	Ømm	DN		0	50	100	150	200	250	300	400	450	500	600	800	1000	-	
F 35.60	0,6	5,2	16	1,4	33	1"¼		11	10,1	8,1	5,7	3	0									
F 40.75	0,75	6,4	20	2,6	38	1"½		11	9,7	8,4	6,8	4,9	2,7	0								
F 50.75		7,7	20	2,8	50	2"		12	11,4	10,3	9	7,7	6,2	4,6	1,1							
F 50.110	1,1	8,9	35	3,0				H - meters	14	13,1	12,1	10,9	9,5	8	6,4	2,7	0,7					
F 50.150	1,5	9,8	35	3,7	65	2"½		15	14,1	13,1	12	10,8	9,4	7,8	4,4	2,4	0					
F 65.150		11,3	40	4,8					13	12,5	12	11	10	9	8	6	5,1	4,1	2,2			
F 65.220	2,2	-	-	6,1	80	3"		16	15,3	14,4	13,5	12,6	11,7	10,7	8,8	7,9	6,9	4,9	0			
F 80.220		12,2	50	5					12	11,5	11	10,5	10	9,6	9,1	8,1	7,6	7	5,9	3,5	0,8	
F 80.300	3	-	-	8				14	13,7	13,3	12,9	12,5	12,1	11,6	10,6	10,1	9,5	8,4	5,9	3	0	

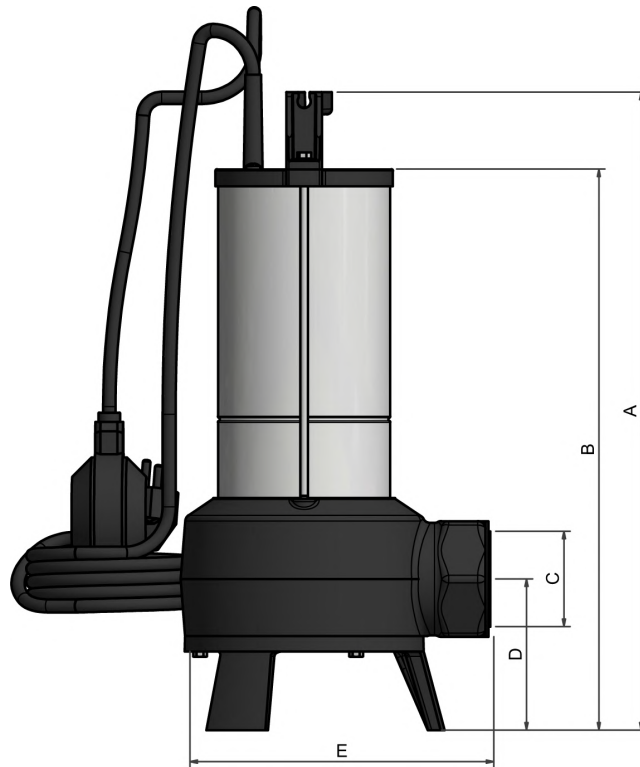
COMPONENTS AND MATERIALS

SEWAGE
VORTEX F



POS	COMPONENT	MATERIALS
1	Body Vortex Pump F50.75	Cast Iron
2	Bearing	Steel
3	Rotor / Shaft	Steel and Aluminium / Stainless Steel
4	Bearing	Steel
5	Mechanical Seal Fixe	Nitrile Rubber / Ceramics
6	Mechanical Seal Mobile	Graphite Steel
7	Lip Seals	Nitrile Rubber
8	Impeller Pump Vortex	Cast Iron
9	Bottom Support Pump Vortex	Cast Iron
10	Stator	-
11	Top Engine Support	Aluminium
12	Capacitor	-
13	Motor Casing	Stainless Steel
14	Pump Cover	Noryl
15	Power Cable	Neoprene
16	Float	Neoprene / Plastic

DIMENSIONS AND WEIGHT



SEWAGE
VORTEX F

TYPE	DIMENSIONS (mm)					WEIGHT Kg	PALETTES Un
	A	B	C	D	Ø (passage)		
F 35.60	340	290	1"¼	70	33	11,5	51
F 40.75	371	321	1"½	80	38	13,5	
F 50.75	413	363	—	—	—	15,5	
F 50.110	432	383	2"	98	50	20,0	
F 50.150	442	393	—	—	—	20,5	
F 65.150	—	—	—	—	—	22,0	
F 65.220	495	447	2"½	115	65	25,0	
F 80.220	538	493	—	—	—	28	
F 80.300	548	503	3"	141	80	30	